

TECHNICAL BULLETIN  
▶ ADVISORY ◀



www.mceinc.com

**Reference** 120  
**Route to** Service Manager/Modernization Manager  
**From** MCE Technical Support Department (916/463-9200 then press 6)  
**Date** November 8, 2000  
**Pages** 1

---

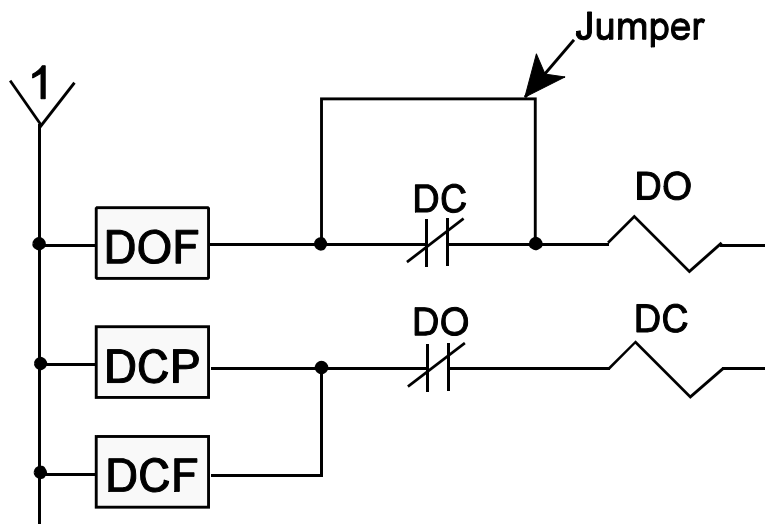
**Subject** Shorted DCP or DCF Triac – All Controller Types

---

**Description** If the DCP or DCF triac should fail in a “permanent” state of conduction, the DC relay could remain energized indefinitely, thus disabling the door reopening devices.

**Jobs Affected** All controller types except those using HC-DB-MOD and HC-DB-MOM/H Door Boards.

**Action** Jump out the normally closed DC interlock contact in series with the DO coil. In this manner, if the DCP or DCF triac should fail, the door reopening devices will continue to function properly. Please mark up your wiring diagrams to show the added jumper.



**MCE Help** As always, should you require technical assistance on other issues:  
! Telephone 916/463-9200 then press 6  
! Refer to the reference number above